

# OPAL XL

Cartridge Filter

**For crystal clear, sparkling water**



Opal XL cartridge filters are designed to house an extra large filter cartridge, maximising its dirt holding capacity and minimising filter maintenance.

The filter's dome lid allows easy access to the filter cartridge for removal, cleaning and installation in a matter of minutes.

The Opal XL cartridge filters are ideal for applications where back washing may not be practical or areas where water may be scarce.

## Rugged Construction

Constructed from high impact polypropylene and designed for easy maintenance. The Opal XL cartridge filters will provide years of trouble free service.



Easy to read pressure gauge.

Air relief valve.

Dome shaped lid, allowing simple cartridge removal and replacement.

Solid one piece moulded polymer tank. Low profile for easy cartridge removal and inconspicuous enclosure.

Tough heavy duty polyester filter fabric with wide and deep pleats for better filter efficiency, easy cleaning and longer cartridge life.

50mm quick connect barrel unions for UPVC pipe.

## Extra Large Filter Cartridge

Opal XL filter cartridges are fabricated from pleated reusable polyester fabric. The extra larger size cartridge has been pleated to provide 225ft<sup>2</sup> (20.9m<sup>2</sup>) to 270ft<sup>2</sup> (25.1m<sup>2</sup>) of surface area maximising its dirt holding capacity and minimising filter maintenance.

**Material:** Polyester fabric material, plastisol end caps and a polypropylene core.

**Operating Temperature:** 4°C to 50°C **Maximum Pressure Drop:** 20 kPa



## Simple Maintenance

The filter cartridge is easily cleaned by hosing the pleats with a standard garden hose.

## Technical Specifications

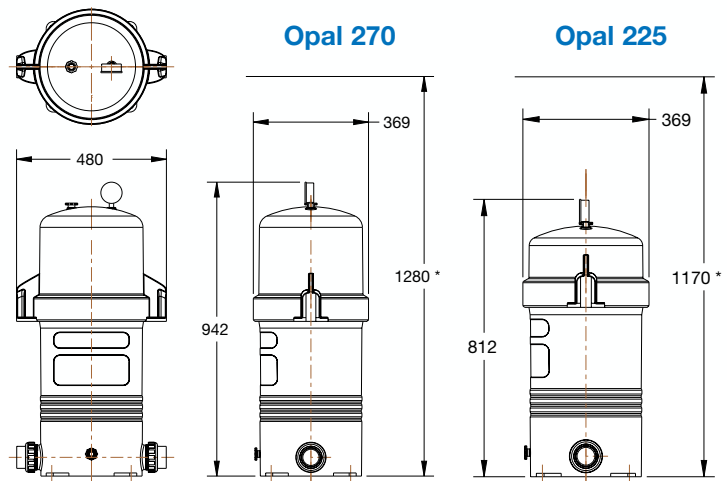
Model	Filter Area		Max Flow Rate	Working Pressure		Max Pool Size
	(m <sup>2</sup> )	(ft <sup>2</sup> )		kPa	psi	
Opal 225	20.9	225	510	250	50	183,600
Opal 270	25.1	270	510	250	50	183,600

## Warranty

Opal Filter (Tank)	10 Years (5 Years Full + 5 Years Pro Rata)
Other Components	1 Year
Labour	1 Year

Please refer to Waterco's warranty terms and conditions

## Dimensions



\* Minimum Clearance Height to Remove Cartridge (mm)

### OFFICES - AUSTRALIA

NSW - Sydney (Head Office)  
Tel: +61 2 9898 8600  
QLD - Brisbane  
Tel: +61 7 3299 9900  
VIC/TAS - Melbourne  
Tel: +61 3 9764 1211  
WA - Perth  
Tel: +61 8 9273 1900  
SA/NT - Adelaide  
Tel: +61 8 8244 6000  
ACT Distribution  
Tel: +61 2 6280 6476

### OFFICES - OVERSEAS

Waterco (Europe) Limited  
Sittingbourne, Kent, UK  
Tel: +44 (0) 1795 521 733  
Waterco (USA) Inc  
Augusta, Georgia, USA  
Tel: +1 706 793 7291  
Waterco Canada  
Longueuil, Quebec, Canada  
Tel: +1 450 748 1421  
Waterco (NZ) Limited  
Auckland, New Zealand  
Tel: +64 9 525 7570

Waterco (C) Limited  
Guangzhou, China  
Tel: +86 20 3222 2180

Waterco (Far East) Sdn Bhd  
Selangor, Malaysia  
Tel: +60 3 6145 6000

PT Waterco Indonesia  
Jakarta, Indonesia  
Tel: +62 21 4585 1481

Waterco Singapore Int'l Pte Ltd  
Nehsons Building, Singapore  
Tel: +65 6344 2378

Waterco France  
SAINT PRIEST, France.  
Tel: +33 4 72 79 33 30

## DISTRIBUTED BY:

**WATERCO**  
water, the liquid of life



**SPASA**  
AUSTRALIAN MEMBER