

MICRON SIDE MOUNT SAND FILTER



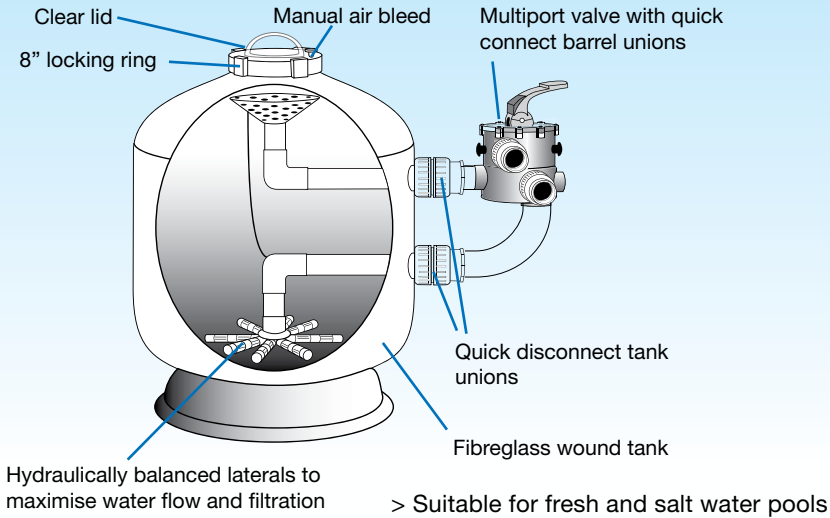
Waterco fibreglass filters embody the latest in fibreglass winding technology. Waterco's digitally controlled filament winding machine faultlessly winds continuous strands of fibreglass filament to create a strong filter vessel with refined consistency and superior quality.



Micron Side Mount Sand Filter

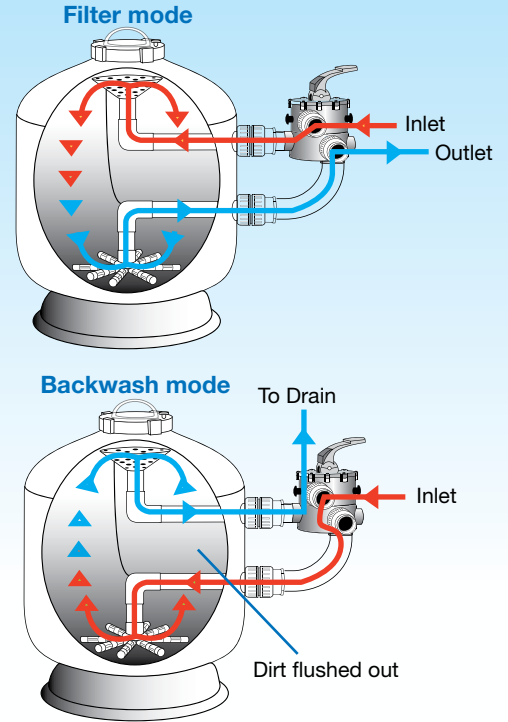
Proven Durability

Waterco fibreglass filters are perfectly suited to the constant increases and decreases in pressure experienced by sand filters. Accelerated cyclic testing has shown that even after simulating 20 years of use, Waterco fibreglass filters withstood cyclic wear and tear better than most other filters in its class.



Easy Maintenance

Cleansing the filter simply requires turning the Multiport lever from the 'filter' position to the 'backwash' position.



Warranty

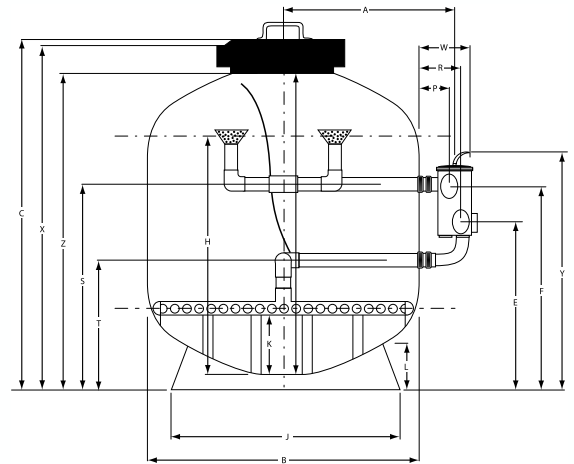
Waterco shows its ultimate confidence in its range of Micron Side Mount S Filters by offering a 10-year* tank warranty and 1 year warranty on all other components.

* Commercial applications attract a 5-year (1 year full plus 4 years pro rata) tank warranty.

Model No.	Inner Diameter (mm)	Filter Area (m ²)	Media Volume (litre)	Sand 16/30 (Kg)	Zeoplus 1 - 2.2 (Kg)	Bed Depth (mm)	Valve Size (mm)	Residential		Commercial
								Max. Flow (lpm)	Max. Pool Size (litres)	Max. Flow (lpm)
SM400	400	0.13	41	60	50	290	40	100.5	36,180	75
SM500	500	0.20	62	90	74	290	40	157	56,549	118
SM600	600	0.28	96	140	115	360	40	226	81,430	170
SM700	700	0.38	130	190	156	380	40	308	110,835	231
SM750	750	0.44	144	210	173	400	50	353	127,235	265
SM800	800	0.50	178	260	214	410	50	402	144,765	302
SM900	900	0.64	247	463	381	440	50	509	183,218	382

* Flow rate is limited by the port size, max flow for 50mm is 510 lpm, max flow for 80mm is 1080 lpm and max flow for 100mm is 1800 lpm.

1. Residential 48m³/hr/m², max. pool size is based on a 6 hr turnover.
2. Commercial 36m³/hr/m², max. pool size is based on a 4 hr turnover.



Filter Model	A	B	C	W	R	P	E	F	K	V	H	L	X	Y	Z	J	S	T
SM400	426	421	856	306	249	171	480	534	86	620	575	71	823	678	750	374	480	277
SM500	464	520	815	310	215	153	594	649	100	652	585	70	743	790	715	445	485	282
SM600	518	622	880	310	215	153	629	684	105	680	601	88	804	825	778	540	520	317
SM700	565	719	948	321	248	178	520	601	120	728	685	90	905	750	835	620	520	317
SM750	587	772	993	321	248	178	593	674	113	763	652	120	914	823	892	678	593	390
SM800	615	821	1013	321	248	178	560	641	127	790	747	90	970	790	900	620	560	357
SM900	667	923	1115	321	248	178	656	737	113	860	750	120	1030	886	1011	678	656	453

OFFICES - AUSTRALIA
NSW - Sydney (Head Office)
Tel: +61 2 9898 8600
QLD - Brisbane
Tel: +61 7 3299 9900
VIC/TAS - Melbourne
Tel: +61 3 9764 1211
WA - Perth
Tel: +61 8 9273 1900
SA/NT - Adelaide
Tel: +61 8 8244 6000
ACT Distribution
Tel: +61 2 6280 6476

OFFICES - OVERSEAS
Waterco (Europe) Limited
Sittingbourne, Kent, UK
Tel: +44 (0) 1795 521 733
Waterco (USA) Inc
Augusta, Georgia, USA
Tel: +1 706 793 7291
Waterco Canada
Longueuil, Quebec, Canada
Tel: +1 450 748 1421
Waterco (NZ) Limited
Auckland, New Zealand
Tel: +64 9 525 7570

Waterco (C) Limited
Guangzhou, China
Tel: +86 20 3222 2180
Waterco (Far East) Sdn Bhd
Selangor, Malaysia
Tel: +60 3 6145 6000
PT Waterco Indonesia
Jakarta, Indonesia
Tel: +62 21 4585 1481
Waterco Singapore Int'l Pte Ltd
Nehsons Building, Singapore
Tel: +65 6344 2378

Waterco France
SAINT PRIEST, France.
Tel: +33 4 72 79 33 30

DISTRIBUTED BY:

WATERCO
water, the liquid of life

